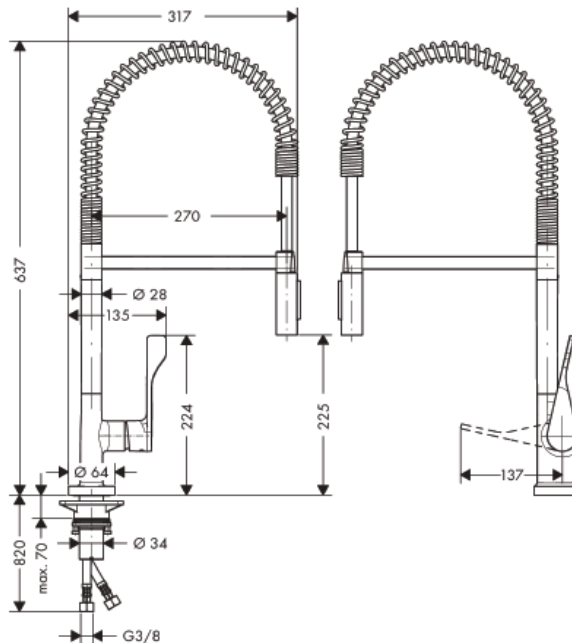


SPECIFICATION SHEET - fittings

| | | |
|---------------------------------|--|---|
| BRAND: | hangrohe | Product Photo:  |
| ORIGIN: | Germany | |
| SERIES: | Sink Mixers | |
| PRODUCT DESCRIPTION: | Allegra Citterio single lever kitchen mixer with pull-out spray • Flow rate: 10 l./min. at 3 bar • Flow pressure; 1~5 bar (15~70 psi) | |
| MODEL No. | 39840 000 | |
| FINISH/COLOUR: | Chrome-plated | |
| DIMENSIONS: | 637mm H x 317mm L | |
| OPTIONAL MATCHING PARTS: | 2x angle valve 1/2"x3/8" | |

Technical Informations: Suitable for continous flow water heater



| | |
|------------------|---|
| REMINDER: | Pipe flushing must be done before faucets are installed. Failure to do so voids the warranty. |
| | Do not use cleaners containing abrasive cleansers, ammonia, bleach, acids, waxes, alcohol, solvents or other products not recommended for chrome. |
| | All information is for reference only, installation shall always be based on the actual product delivered. |